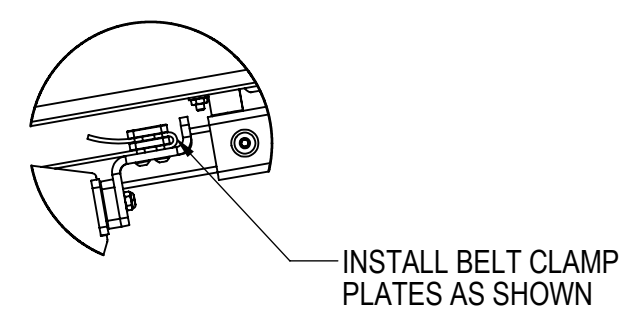
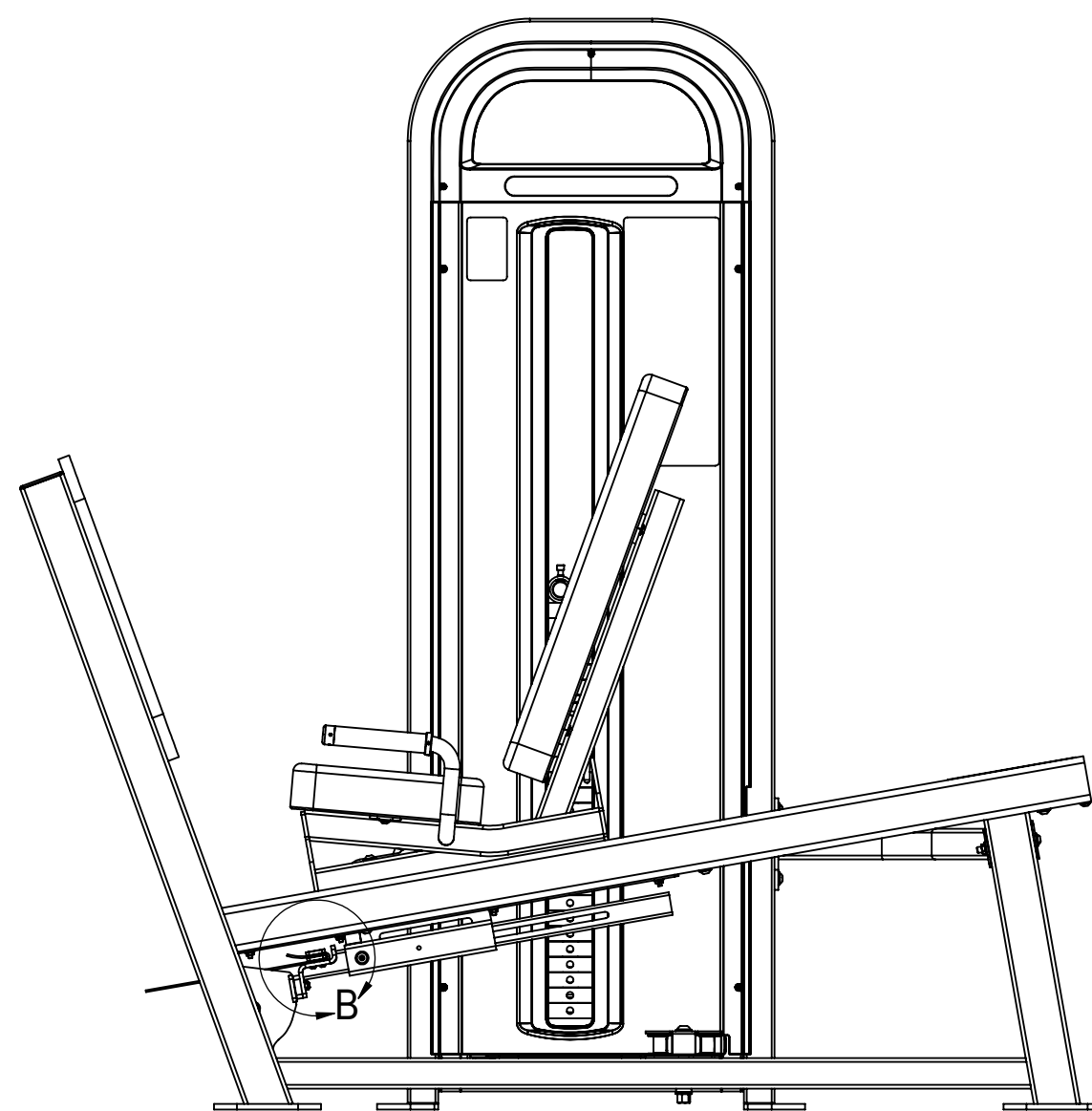
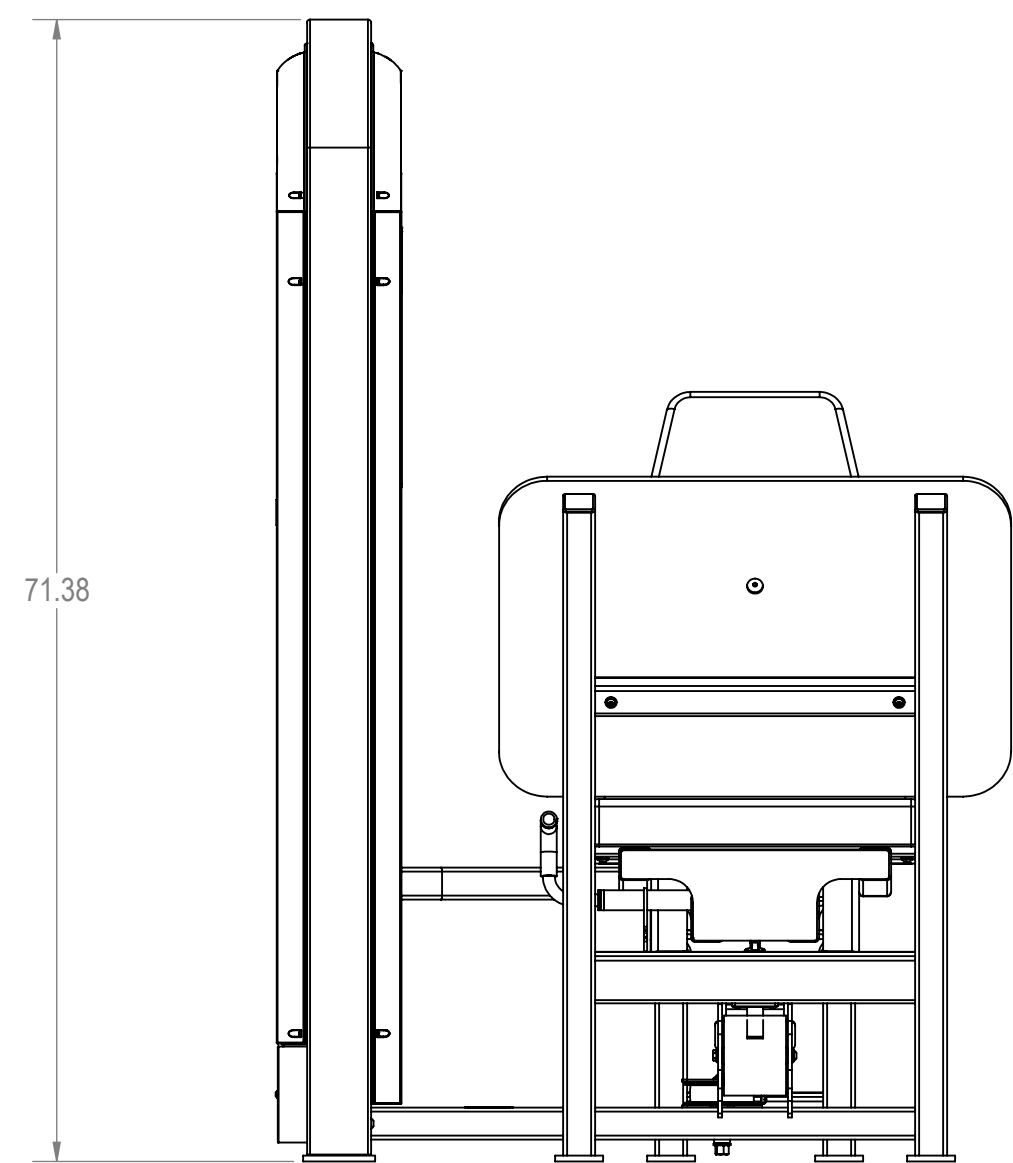
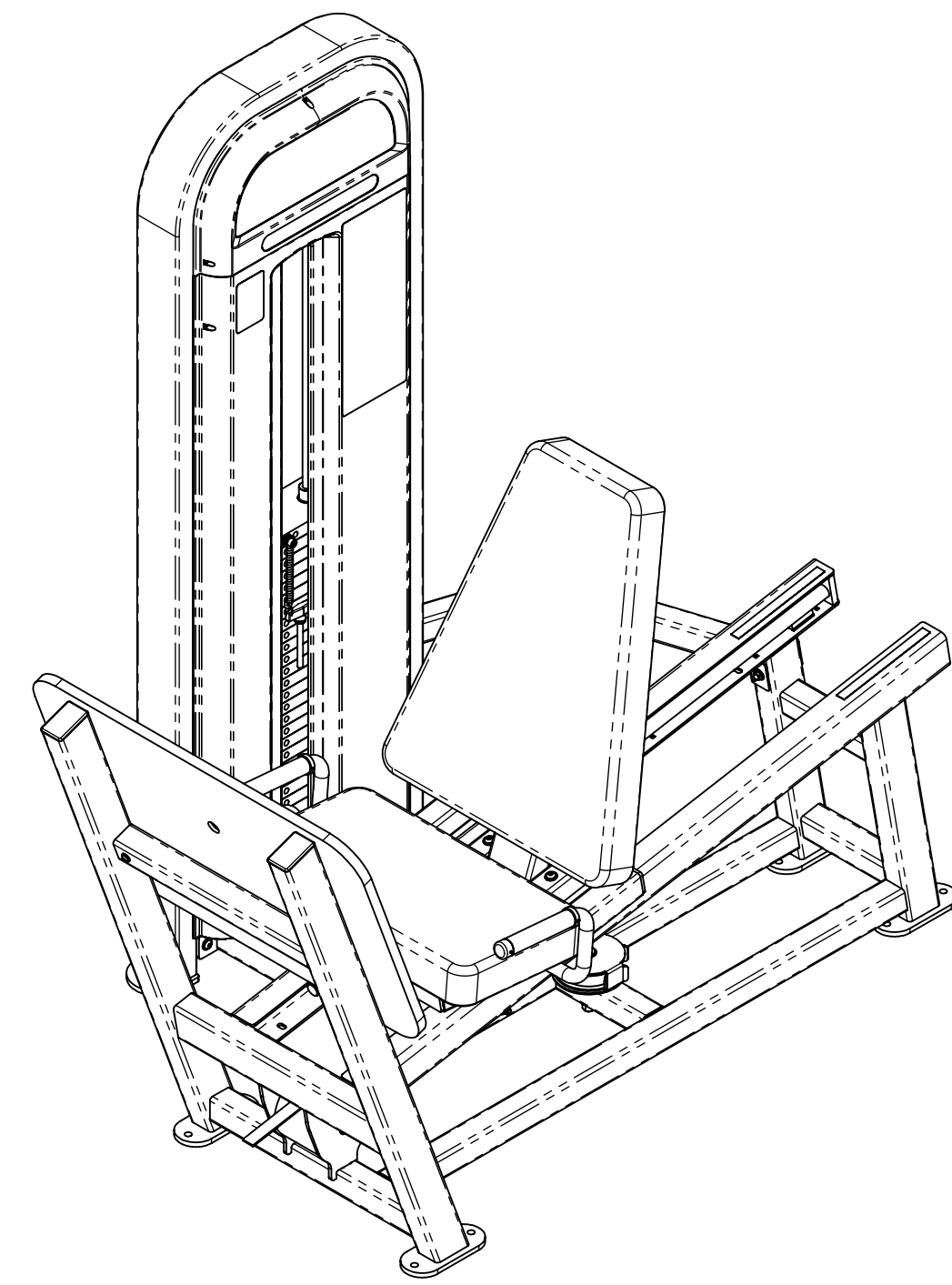
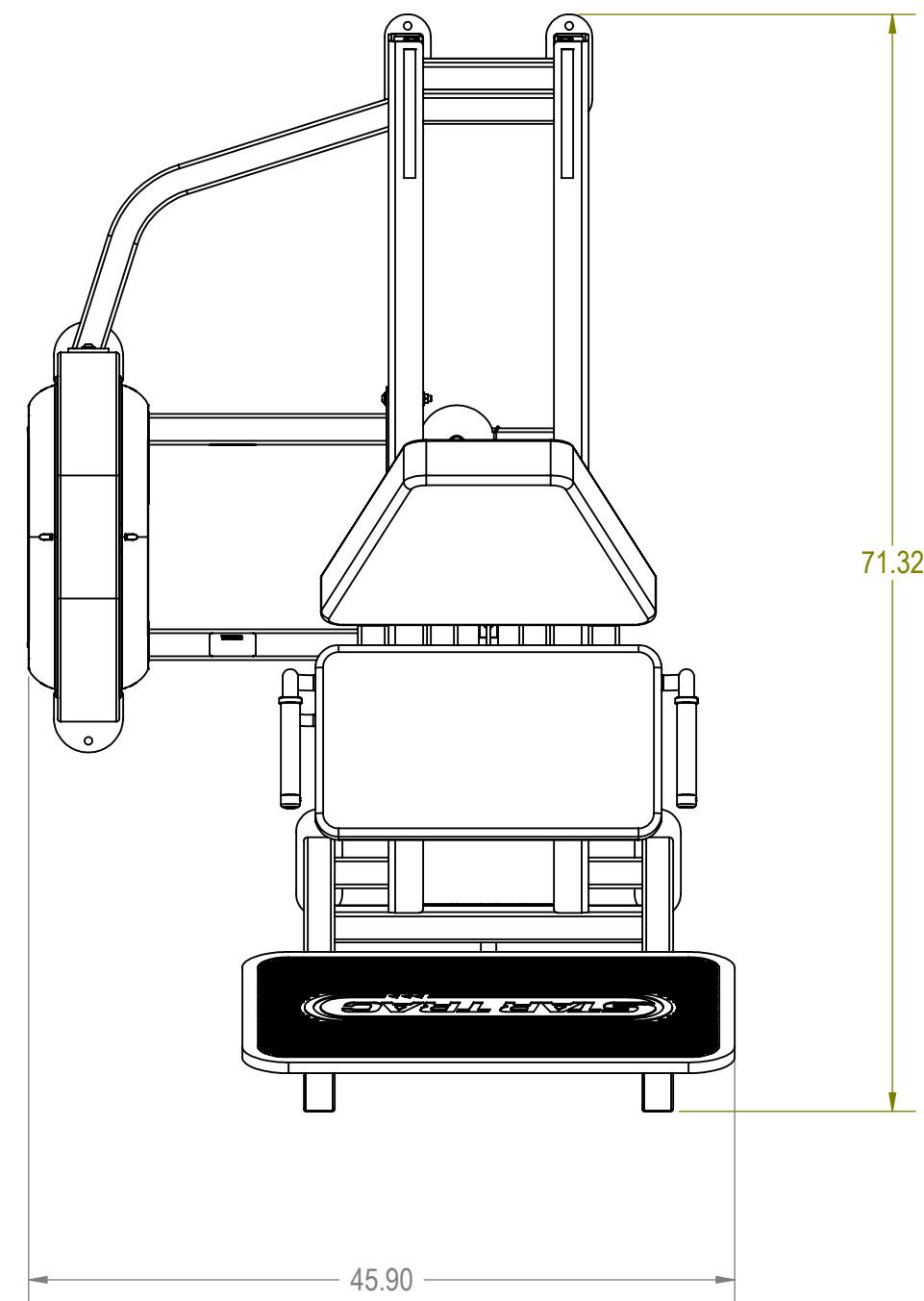


REVISION HISTORY				
REV	DATE	DESCRIPTION	ECO	BY
A	7/24/08	INITIAL PRODUCTION RELEASE	100259	JML
B	11/21/2008	REPLACED 4900-0578 WITH 4900-0610	100368	MLB



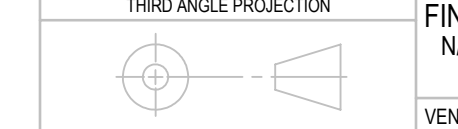
DETAIL B

ITEM NO.	Partno	DESCRIPTION	QTY.
1	5220-0001	LABEL, SAFETY, KEEP HANDS, LARGE	2
2	5220-0005	LABEL, SAFETY, SECURE TO FLOOR	1
3	4230-0098	BHSCS, 5/16-18 X 3/4, BRIGHT, Z	2
4	4600-0007	WASHER, SAE, 5/16, Z	10
5	5290-0001	SERIAL NUMBER	1
6	3211-0218	ASSY, WELD, WT STACK CONN, SIDE	1
7	4500-0029	NUT, NYLOC, JAM, 3/8-16, Z	14
8	4600-0009	WASHER, SAE, 3/8-16, Z	39
9	3211-0219	ASSY, WELD, ADJUST HANDLE	1
10	2120-4042	ROM ADJUST ARM, S1305	1
11	4600-0006	FLAT WASHER, 1/4, Z	10
12	4600-0008	NUT, JAM, 1/4-20, Z	9
13	4230-0098	BHSCS, 3/8-24 X 1 1/2, BRIGHT, Z	6
14	4230-0098	BHSCS, 3/8-16 X 3/4, BRIGHT, Z	1
15	3211-0214	ASSY, WELD, TROLLEY, 18 INCH	1
16	3211-0213	ASSY, WELD, SEAT, S1305	1
17	2210-0009	BUSHING, SEAT POST	1
18	3211-0215	ASSY, WELD, ROM, LEG PRESS	1
19	2120-4055	PIN, ROM RELEASE, 50 DIA	1
20	4900-0036	BEARING, FLANGE, 750B X 750H	2
21	4230-0056	BHSCS, 3/8 X 3, BRIGHT, Z	9
22	2120-4081	BELT CLAMP, 1.25 X 2.88 X .25, 27 THRU	1
23	2120-4082	BELT CLAMP, 1.25 X 2.88 X .25, 1/4-20 TAP	1
24	4230-0047	BHSCS, 3/8-16 X 4, BRIGHT, Z	4
25	4230-0076	BHSCS, 1/2-13 X 4 3/4, BRIGHT, Z	1
26	4600-0008	WASHER, SAE, 1/2, Z	2
27	4500-0012	NUT, HEX, JAM, 1/2-13, Z	1
28	4230-0047	BHSCS, 1/4-20 X 1, BRIGHT, Z	4
29	4500-0016	NUT, NYLOC, 5/16-18, NE, Z	2
30	4900-0297	LINK, CHAIN, #40, PL-170	1
31	4900-0118	BEARING, ROLLER, 1", L16 OPEN	4
32	4900-0016	Dowel Pin, 1/8 X 3/8	4
33	4900-0044	Pulley, Belt, 5.0d x 3/8b x 3.88w	1
34	4900-0128	Linear Shaft, 1" RD x 51	2
35	2120-0296	RACE, INNER, 1 X 4 1/8	1
36	4900-0140	RING, RETAIN, 1" EXT, S100-100	2
37	4230-0096	3/8-16 X 5, BRIGHT, Z	1
38	5240-0014	Label, Instructional, 1-9 Strip	1
39	4230-0097	BHSCS, 1/4-20, 2.5, BLK, Z	1
40	2130-0066	COVER, PULLEY, 5"	2
41	3500-0027	ASSY, UPHOLSTERY, SEAT	1
42	4900-0575	CARRIAGE SCREW, 1/4-20 X .75	8
43	3211-0217	ASSY, WELD, WT STACK CONN, LOW	1
44	2120-0579	STANDOFF, 2", ALUMINUM	6
45	4900-0441	PULLEY, BELT, 4.75D, 1/2B, 1.5W, MOLDED	1
46	3211-0226	ASSY, WELD, WGT FRAME, LEG PRESS	1
47	4900-0582	PULLEY, BELT, 3.75D, 3/8B, 1.5W, MOLDED	1
48	4900-0025	STEP RUBBER, 32X21 U-0965	1
49	2120-4053	PLATE, FLOOR GUARD	1
50	4900-0001	STOP, RED	1
51	2120-4052	STOP PLATE, LINEAR SHAFT	2
52	3211-0216	ASSY, WELD, MAIN FRAME, S1305	1
53	5220-0023	LABEL, SAFETY, MAIN WARNING, IMPACT	1
54	5210-0077	PLAC, IMPACT, PR-S1305, SEATED LEG PRESS	1
55	5230-0030	LABEL, NAME, SEATED LEG PRESS	2
56	5230-0009	LOGO, IMPACT, LOWER SHROUD	1
57	5230-0008	LOGO, STAR, TRAC, IMPACT, TOP SHROUD	2
58	2210-0004	SHROUD, LOWER, LONG, OUTSIDE, PRO	1
59	4900-0440	PULLEY, BELT, 4.75D, 3/8B, 1.5W, MOLDED	2
60	2130-0064	PLATE, KICK PLATE	1
61	2120-3555	SHRD, MOD FRONT, SEATED LEG PRESS, PR-S1305	1
62	2210-0001	SHROUD, UPPER, PRO	2
63	4500-0046	U-NUT, #8, PANEL 025-125	14
64	4161-0074	SCREW, #8-18x1-1/2, PHT-AB, PH, CS	14
65	4230-0005	BHSCS, 1/4-20 X 1/2	2
66	3310-0124	ASSY, W-STK, 15LB/405LBS, BELT, TALL	1
67	4500-0048	U-NUT, 1/4-20 EDGE, S31, 025-150	2
68	4230-0051	BHSCS, 3/8-16 X 2 1/2, BRIGHT, Z	1
69	4230-0080	BHSCS, 5/16-18 X 2 3/4, BRIGHT, Z	2
70	4230-0085	BHSCS, 5/16-18 X 1 1/4, BRIGHT, Z	6
71	2130-0069	BRACKET, MOUNT, KICK PLATE, IMPACT	2
72	4900-0065	CAP, HANDLE, 3/4"	1
73	4250-0001	SSS, 10-32 X 1/8, BLK	10
74	4900-0005	CAP, HANDLE, 1", CHROME	2
75	1400-0001	TUBE, ROUND, 1", RUBBER, BLK	12 IN
76	2120-3848	RING, HANDLE, 1"	2
77	4900-0417	CAP, BLACK, 2 X 4	1
78	1400-0006	TUBE, ROUND, 3/4" RUBBER, BLK	8 IN
79	2120-3402	Ø5/16 ID X 1 1/2 HOLLOW ROD	1
80	3500-0097	ASSY, UPH, 27X22	1
81	4900-0579	SPRING, PULL P/N	1
82	4900-0580	BELT, MCTRL, SPOOL	189 IN
83	4900-UPH-X	UPHOLSTERY, TBD	1.75 LN, YD
84	4900-PNTX	POWDER COAT, TBD	2.25 LBS
85	4230-0057	BHSCS, 3/8 X 2 1/4, BRIGHT, Z	3
86	4900-0589	CAP, 2.0 X 3.0, BLACK, TEXTURED	2
87	4900-0610	HEX, CAP, PULL P/N	1

- NOTES:
1. INTERPRET DRAWING PER ASME Y14.5M-1994.
  2. IF APPLICABLE, CRITICAL DIMENSIONS LABELED.
  3. ALL HARDWARE IS KITTED PER 3700-0362
  4. ALL UPHOLSTERY IS KITTED PER 3700-0200
  5. EST GROSS WT. 600 LBS.

DOCUMENT STATUS:  
**RELEASED**

NOTICE OF PROPRIETARY INFORMATION  
THIS DOCUMENT SHALL NOT BE REPRODUCED NOR SHALL THE INFORMATION CONTAINED HEREIN BE USED BY OR DISCLOSED TO OTHER EXCEPT AS EXPRESSLY AUTHORIZED BY LUNSON INC. OR A STAR TRAC.



MATERIAL  
SEE BOM

FINISH  
N/A

VENDOR N/A

INITIAL DATE  
JML 7/24/08

U.O.M. INCH

SCALE: 1:12

UNLESS OTHERWISE SPECIFIED DIMENSIONS ARE IN INCHES. TOLERANCES ARE:  
DECIMALS .005  
FRACTIONS 1/32  
ANGLES .125

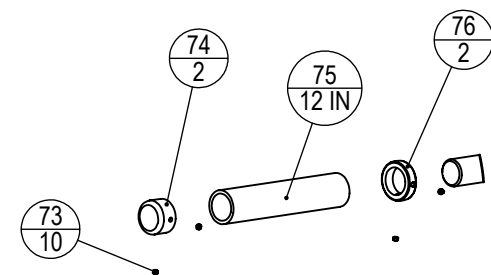
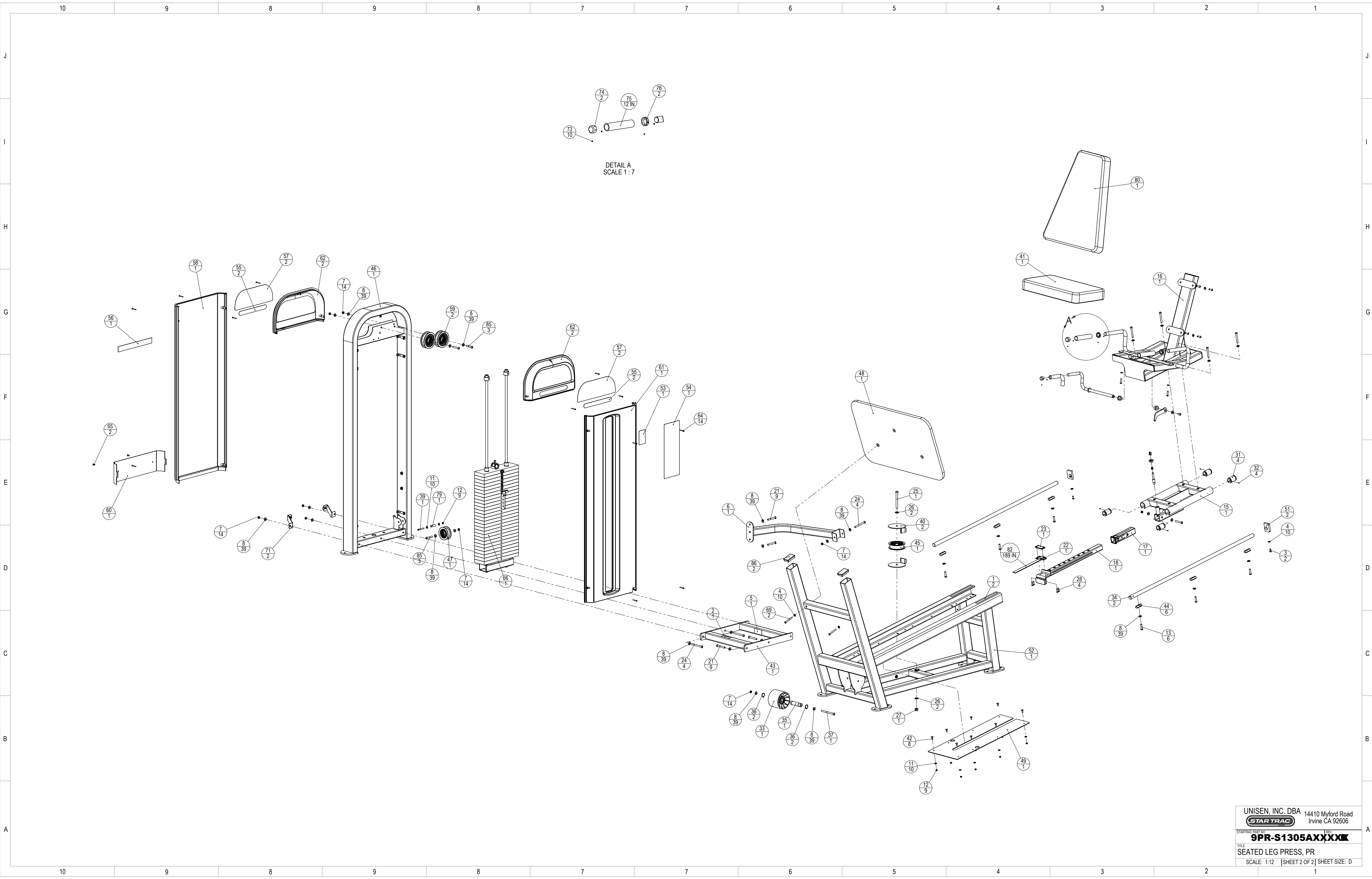
STAR TRAC  
14410 Myford Road  
Invine CA 92606

INITIAL DATE  
JML 7/24/08

REVISION HISTORY  
REV B

TITLE  
SEATED LEG PRESS, PR

SHEET 1 OF 2



DETAIL A  
SCALE 1:7